

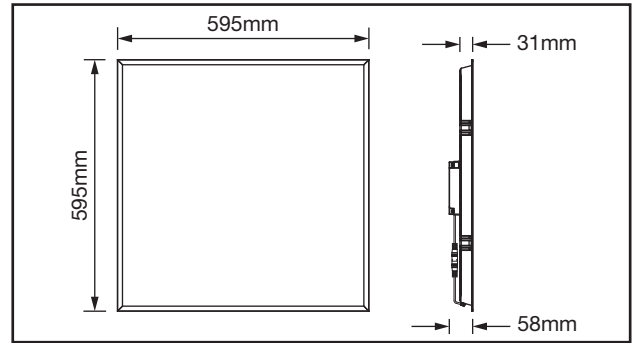
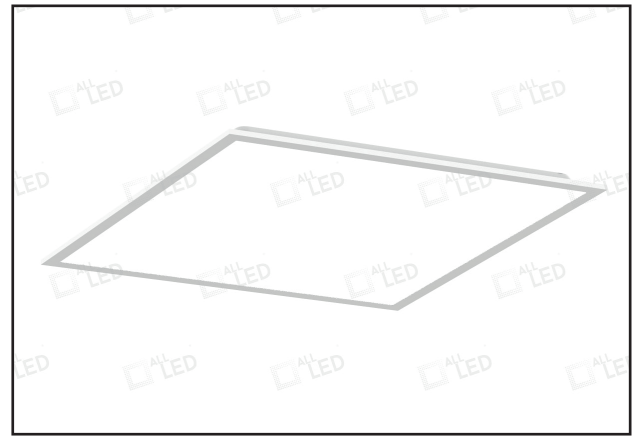
## APNL632A/CCT

32W IP20 600x600 CCT Backlit  
LED Panel TP(a) Rated



### PRODUCT FEATURES

- CCT Selectable (3000K, 4000K, 6500K)
- Back Lit LED Panel Suitable For Education, Commercial, Retail, Office And Ancillary Spaces
- 130lm/W
- White Painted Single Piece Frame (RAL9003)
- TP(a) Flame Retardant Opal Diffuser
- UV Stable
- Flicker Free
- UGR <19 Glare Rating
- 5 Year Guarantee
- Plug & Play Emergency Pack Options Available - APNL636A/CCT/EM, APNL636A/CCT/0-10/EM, APNL636A/CCT/DALI/EM
- 0-10V Dimming Or DALI Options Available - APNL636A/CCT/0-10, APNL636A/CCT/DALI
- Pre-Wired LED Driver & DC Connector



### TECHNICAL SPECIFICATIONS

Product Code	APNL632A/CCT		
Luminous Flux (LM)	3900lm	4140lm	3980lm
Useful Luminous Flux (LM)	3900lm	4140lm	3980lm
CCT (Kelvin)	3000K	4000K	6500K
Beam Angle (°)	120°		
SDCM	<6		
CRI	>80		
Peak Intensity (cd)	1347cd	1438cd	1384cd
Operating Voltage (V)	220-240V AC		
Max Output Power (W)	32W		
Operating Current (A max)	0.154A		
No Load Power (W)	<0.5W		
Power Factor (Pf)	>0.97		
Class	II		
Driver Efficiency %	96%		
Body Material	Aluminium		
Frame Colour	White		
Switching Cycles	20,000		
Ingress Protection	IP20		
Ambient Operating Temperature (°C)	-10°C ~ 45°C		
Input Frequency (Hz)	50/60Hz		
Guarantee	5 Years		
Lifetime (L70 B50)	50000 Hrs		
Survival Factor	0.9		
Lumen Maintenance Factor	0.9649		
Displacement Factor	>0.9		
Flicker Metric (PstLM)	<1		
Stroboscopic Effect Metric (SVM)	<0.4		
UGR Rating	19		

**Standard**  
APNL632A/CCT

**0-10V Version**  
ANPL636A/CCT/1-10

**DALI Version**  
ANPL636A/CCT/DALI

**Emergency Version**  
ANPL636A/CCT/EM

**0-10V Emergency Version**  
ANPL636A/CCT/1-10/EM

**DALI Emergency Version**  
ANPL636A/CCT/DALI/EM

